

*Ornaments
for everybody*

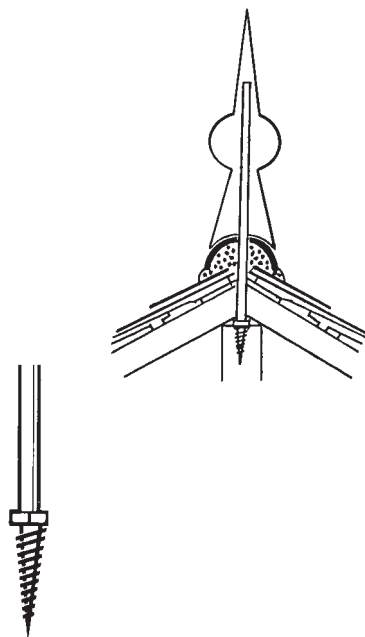


VMZINC ORNAMENTS

Weather vanes, finials and gutters in zinc or copper.

VMZ Traditional finials

A comprehensive range of zinc and copper finials, ranging from 30 cm to 1 m in height for decorating slate, tile and zinc roofs: the ultimate touch of distinction for roofing.



Steel lag screw rod

All finials are delivered with a lag screw rod, ref. 4503.

Designation	Article code zinc	Article code copper	Height (cm)	Base		Height of gable (m)
				Length (mm)	Height (mm)	
VMZ Traditional finial 101	220008286	220008272	30	141	140	3 to 4
VMZ Traditional finial 101	220008287	220008273	40	141	140	3 to 4
VMZ Traditional finial 101	220008288	220008274	50	175	190	4 to 6
VMZ Traditional finial 101	220008289	220008275	65	175	190	4 to 8
VMZ Traditional finial 101	220008290	220008276	80	195	220	5 to 9
VMZ Traditional finial 101	220008285	220008271	100	195	220	6 to 10
VMZ Traditional finial 102	220008291	220008277	50	141	140	4 to 6
VMZ Traditional finial 102	220008292	220008278	70	175	190	5 to 9
VMZ Traditional finial 103	220008293	220008279	55	141	140	4 to 6
VMZ Traditional finial 103	220008294	220008280	75	175	190	5 to 9
VMZ Traditional finial 103	220008295	220008281	90	195	220	5 to 9
VMZ Traditional finial 104	220008296	220008282	50	141	140	4 to 6
VMZ Traditional finial 104	220008297	220008283	65	175	190	4 to 8
VMZ Traditional finial 104	220010711	220010710	75	175	190	5 to 9
VMZ Traditional finial 104	220008298	220008284	95	195	220	6 to 9
VMZ Traditional finial 105	220003902	220003895	38	Ø 175	190	3 to 4
VMZ Traditional finial 105	220003903	220003896	45	Ø 175	190	3 to 4
VMZ Traditional finial 105	220003904	220003897	52	Ø 175	190	4 to 6
VMZ Traditional finial 105	220003905	220003898	61	Ø 200	236	4 to 6



VMZ Traditional finial 101



VMZ Traditional finial 102



VMZ Traditional finial 103



VMZ Traditional finial 104



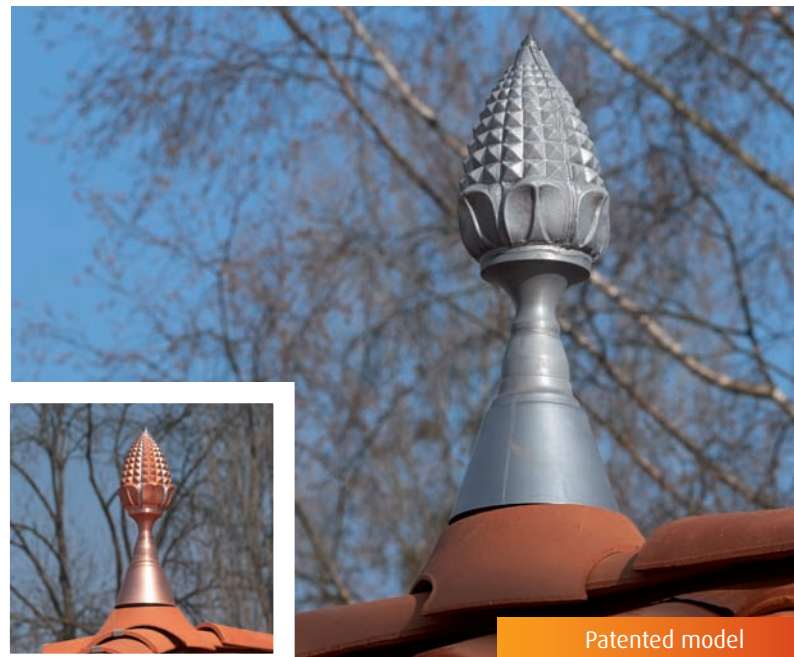
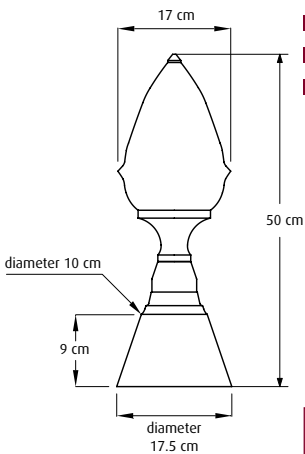
VMZ Traditional finial 105

New

VMZ Pine-cone finial

Stamped pinnacle for installation on the ridge of the roof, which it elegantly crowns.

- An ornament of refined elegance
- Heavy duty manufacturing
- Traditional stamp
- Installed on the groin or as a pinnacle
- Delivered with a lag screw fixing rod.



Reference	Article code zinc	Article code copper	Height (cm)	Diameter (cm)
Pine-cone finial 106	220017101	220017100	50	17.5

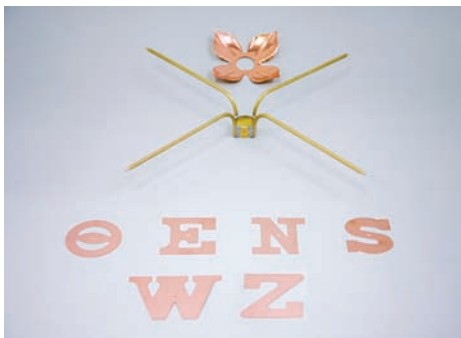
VMZ Compositions

VMZ Traditional-style compositions

A composition is both decorative and functional, as it indicates which direction the wind is blowing. It is also a reminder of the weather cocks on the church steeples of our traditional villages.

Traditional-style compositions sold in kit form (finial + weather vane + cardinal points + rod). Please specify finial model and weather vane motif when ordering.

Designation	Height (cm)
Finial base composition 101	80
Finial base composition 102	70
Finial base composition 104	75



Finial base composition 101



Finial base composition 102



Finial base composition 104

Weather vane motifs



Silhouette weather vanes

Other silhouettes available on request



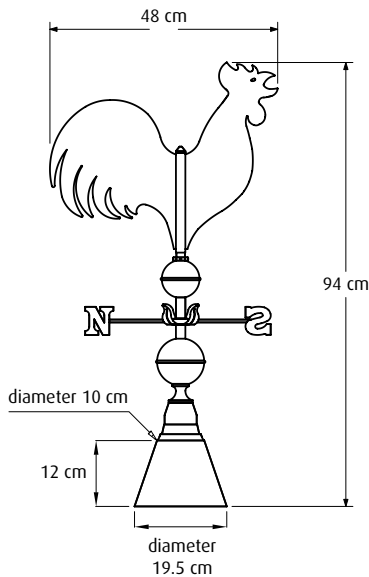
VMZ Compositions

New

VMZ Cockerel compositions 209, self-assembly

A unique ornament that personalises all types of roofs.

- Quality finishing
- Junctions are resilient and discreet
- Easy and quick to assemble
- Durability.



Patented model

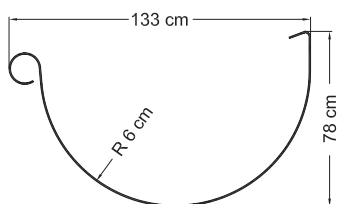
Designation	Article code zinc	Article code copper	Height (cm)	Total span (cm)	Circular plate diameter (cm)
VMZ Cockerel composition 209	220017092	220017091	94	48	19.5

VMZ Gutter

New

VMZ Stamped gutter 501

25 cm half-round gutter with fold decorated with ivy leaves.



- Decorative and functional
- Elegance of details
- Compatible with the VMZ Pluvia-zinc® system
- Delivered in boxes of 5 different lengths, including discreet clips for installation.



Patented model

1 clip every 40 cm to 50 cm. Gutters compatible with 25 cm accessories from the VMZINC® range.

Designation	Article code	Aspect	Effective length (cm)	Spread out length (cm)
Half-round gutter 501	220018774	QUARTZ-ZINC®	192	25

VMZ Weather vanes



Weather Vanes for installation on finial 101, 102 or 104 height 70 cm and greater.



Patented model

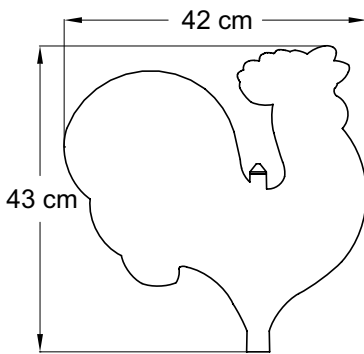


Patented model

New

VMZ Stamped cockerel weather vane 301

Weather vane for installation on a finial at apex of roof to decorate your home.



- Weather vane in 3-D
- Traditional design
- Elegance of details
- Durability.



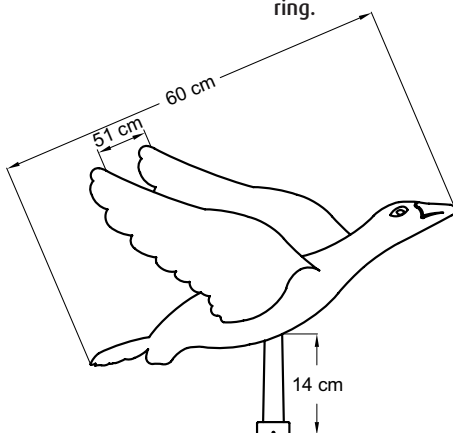
New

VMZ Stamped goose weather vane 302

Weather vane for installation on a finial at apex of roof to decorate your home.

The weather vanes are delivered with the cardinal points (zinc or copper).

- Weather vane in 3-D
- Traditional design
- Elegance of details
- Durability
- The goose is equipped with an anti-burglary ring.



Designation	Article code zinc	Article code copper	Span (cm)
Stamped cockerel weather vane 301	220017097	220017096	42
Stamped goose weather vane 302	220017095	220017093	60

SUBSIDIARIES

AUSTRALIA/NEW ZEALAND

Umicore Australia
Po Box 727
Crows Nest - NSW 2065
Australia
Tel.: + 61 2 99 55 44 00
vmzinc.australia@umicore.com

BELGIUM/LUXEMBURG

n.v. Umicore s.a. Building Products
Belgium
Havendoklaan 12b - B 1800 Vilvoorde
Tel.: + 32 2 712 52 11
vmzinc.belnelux@umicore.com

CHINA Shanghai

Umicore Marketing Services Co. Ltd.
Building Products
Unit A1, 18/F, Zao-Fong Universe Building,
No. 1800 West, Zhongshan Road,
Shanghai 200233, China
Tel.: + 86 21 2411 6883
vmzinc.china@ap.umicore.com

Beijing

Umicore Marketing Services
Building Products
Room 502, Xinghua Business Centre,
#11, Xinghua Lu, Heping Li,
Eastern City District
Beijing 100013, China
Tel.: + 86 10 6424 6761
vmzinc.china@ap.umicore.com

Hong-Kong

Umicore Marketing Services
Building Products
Unit A-B 19/F
Manulife Tower, 169 Electric Road,
North Point, Hong-Kong
Tel.: + 852 2700 2260
vmzinc.hongkong@ap.umicore.com

AGENTS

ARGENTINA

KORZIN S.A.C.I.
Pueyrredón 4233
(B1702ASY) Ciudadela
Pcia Buenos Aires
Tel.: + 54 11 4653 1425
korzin@datamarkets.com.ar

AUSTRIA

VMZINC Center Österreich
Seitenhafenstraße 7
1020 Wien
Tel.: + 43 1 726 34 34
info@vmzinc.at

WEB SITES

www.vmzinc.com
Argentina: www.vmzinc.com.ar
Australia: www.vmzinc.com.au
Austria: www.vmzinc.at
Belgium: www.vmzinc.be
Canada: www.canadianbrass.ca
China (Shanghai, Beijing, Hong-Kong,
Taiwan): www.vmzincasia.cn
Czech Republic: www.vmzinc.cz

Taiwan

Umicore Marketing Services Co. Ltd.
Building Products
16F-2, No. 189, Keelung Road, Sec. 2, Taipei
11054 Taiwan, R.O.C.
Tel.: + 886 2 8732 2021
vmzinc.taiwan@ap.umicore.com

CZECH REPUBLIC

Umicore Building Products CZ s.r.o.
Pod Višňovkou 1661/31
140 00 Praha 4 - Krč
Tel.: + 420 234 036 240
info@vmzinc.cz

DENMARK/NORWAY/SWEDEN

Umicore Building Products
Scandinavia A/S
Lysbrohøjen 5 - DK-8600 Silkeborg
Danmark
Tel.: + 45 86 84 80 05
vmzinc.denmark@umicore.com

FRANCE

Umicore France s.a.s.
40, Rue Jean Jaurès
93176 Bagnolet Cedex
Tel.: + 33 1 49 72 42 42
vmzinc.france@umicore.com

GERMANY

Umicore Bausysteme GmbH
Gladbecker Strasse 413 - 45326 Essen
Tel.: + 49 201 836060
vmzinc.germany@umicore.com

GREAT BRITAIN

Umicore Marketing Services UK Ltd.
Four Rivers House
Fentiman Walk - Hertford,
Hertfordshire, SG14 1DB
Tel.: + 44 1992 822288
vmzinc.uk@umicore.com

CANADA

Canadian Brass and Copper Co.
225 Doney Crescent
Concord, Ontario - LK4 1P6
Tel.: + 416 736 0767
canadianbrass@on.aibn.com

GREECE

MIPECO Trading Ltd.
55, Souliou Street
190 02 Penia (Athina)
Tel.: + 30 210 664 46 11
mipeco@otenet.gr

Denmark, Norway, Sweden: www.vmzinc.dk
France: www.vmzinc.fr
Germany: www.vmzinc.de
Great Britain: www.vmzinc.co.uk
Greece: www.mipeco.gr
Hungary: www.vmzinc.hu
Ireland: www.vmzinc.ie
Italy: www.vmzinc.it
Lebanon, Qatar: www.naggiar.net

HUNGARY

Umicore Building Products
Hungary Kft.
Kagyló u. 4-6, Pf.: 101
H-2092 Budakeszi
Tel.: + 36 23 452 452
info@vmzinc.hu

INDIA

Umicore India Pvt Ltd.
58/59 Bajaj Bhavan - Nariman Point
400 021 Mumbai - Maharashtra-India
Tel.: + 91 22 66275656
vmzinc.india@ap.umicore.com

ITALY

Umicore Building Products Italia s.r.l.
Via Riccardo Lombardi 19/16
20153 Milano
Tel.: + 39 02 47 99 82 23
vmzinc.italia@umicore.com

NETHERLANDS

n.v. Umicore s.a. Building Products
Havendoklaan 12b - B 1800 Vilvoorde
Tel.: + 31 20 494 28 39
vmzinc.belnelux@umicore.com

POLAND

Umicore Marketing Services
Polska Sp z o.o.
Ul. Ludwiki 4 - 01 226 Warszawa
Tel.: + 48 22 632 47 61
vmzinc@vmzinc.com.pl

PORTUGAL

Umicore Portugal S.A.
Travessa do Padrão
4455 524 Perafita
Tel.: + 35 1 22 995 0167
geral@asturianadasmnas.pt

LEBANON

NAGGIAR Trading S.A.L.
Hobeika Street, 6
Saifi District
2029 6406 Beirut
Tel.: + 961 1 562 652
roy.naggiar@naggiar.net

QATAR

NAGGIAR QATAR L.L.C.
Al Haya Commercial Center
Salwa Road
P.O.Box. 22211 Doha
Tel.: + 974 4 687373 / 697790
roy.naggiar@naggiar.net

Luxemburg: www.vmzinc.lu
New Zeland: www.vmzinc.co.nz
Netherlands: www.vmzinc.nl
Poland: www.vmzinc.pl
Portugal: www.vmzinc.pt
Spain: www.vmzinc.es
Switzerland: www.vmzinc.ch
USA: www.vmzinc-us.com

SLOVAKIA

Umicore Building Products
Slovensko, s.r.o.
Pri Starom Letisku 1
SK - 831 07 Bratislava
Tel.: + 421 917 496 019
info@vmzinc.cz

SPAIN

Umicore Building Products Ibérica s.l.
C/Juan Gris, 4, 6ª Planta
08014 Barcelona
Tel.: + 34 93 298 88 80
vmzinc@umicore.com

SWITZERLAND

Umicore Building Products Schweiz AG
Industriestrasse 25 - 3178 Böisingen
Tel.: + 41 317475868
info@vmzinc.ch

USA

Umicore Building Products USA Inc.
Magnolia Building, Suite 104
3120 Highwoods Boulevard
Raleigh, NC 27604
Tel.: + 1 919 874 7173
info@vmzinc-us.com

RUSSIA

UNION ZINC
115088, Moscow
Ugreshskaya street 2
Building 6, office 311
Tel.: + 7 495 665 61 90
info@union-zinc.ru

SOUTH KOREA

SUNNIE INTERNATIONAL Ltd.
395-139, Seokyo-Dong,
Mapo-Ku, Seoul
Tel.: + 82 2-3141-4774
sunnie@korea.com